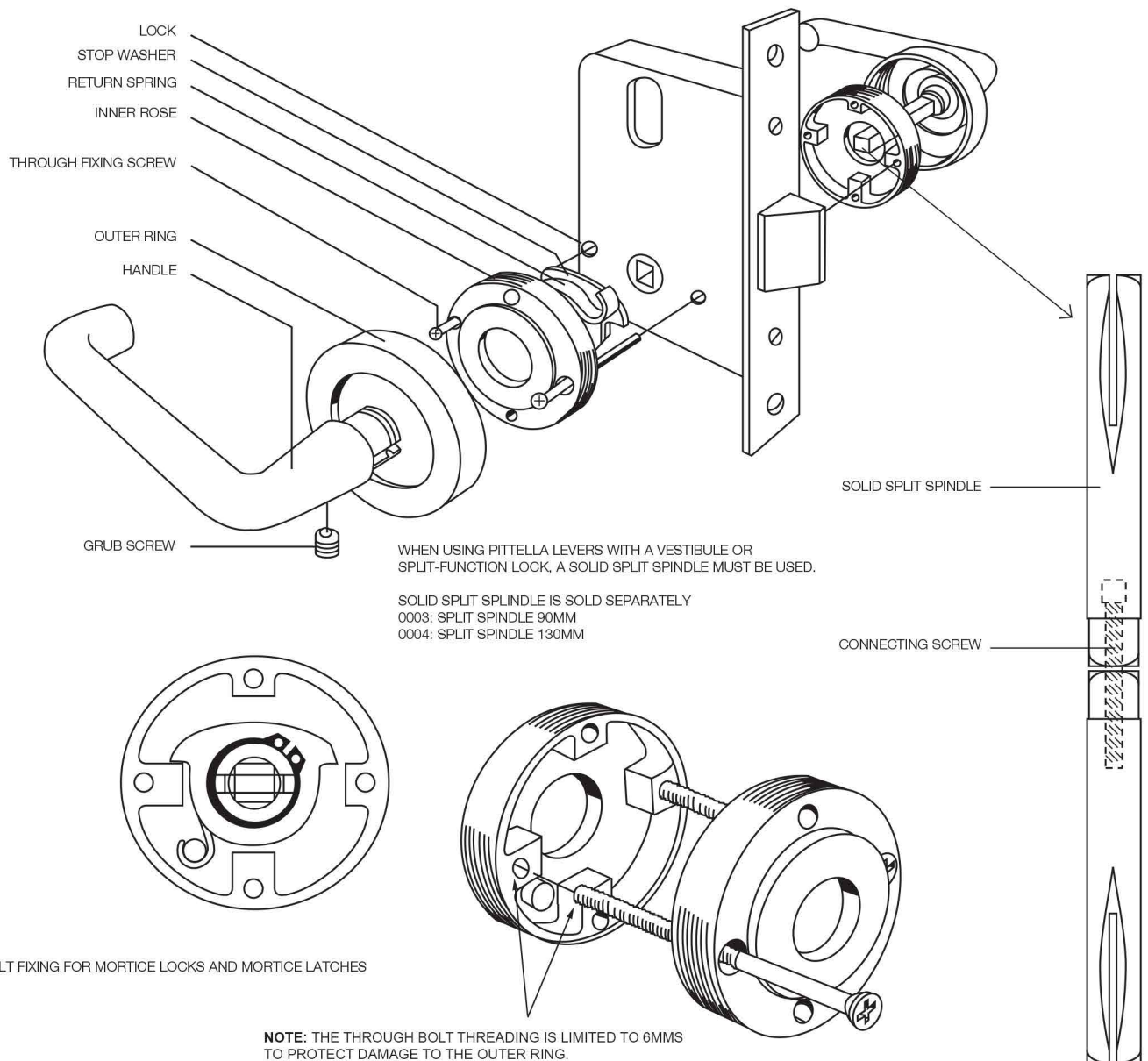
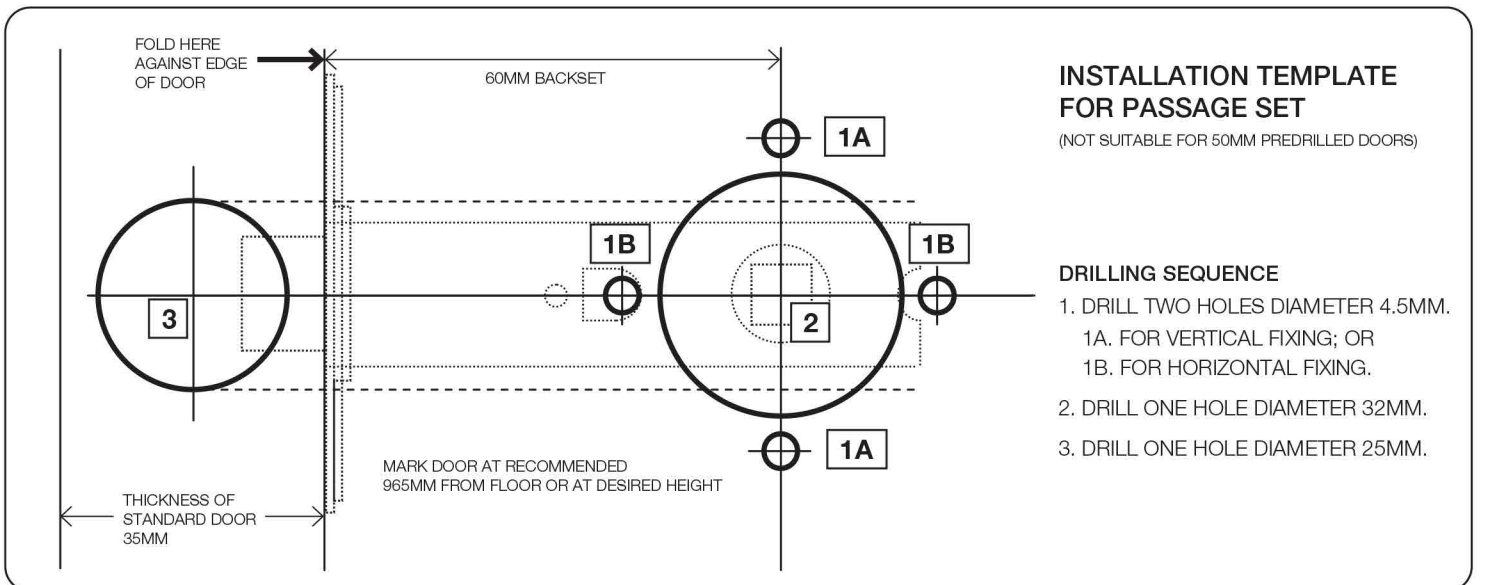


pittella®



TIE BOLT FIXING FOR MORTICE LOCKS AND MORTICE LATCHES

NOTE: THE THROUGH BOLT THREADING IS LIMITED TO 6MMS TO PROTECT DAMAGE TO THE OUTER RING. PLEASE CUT THROUGH BOLT LENGTH ACCORDINGLY



INSTALLATION TEMPLATE FOR PASSAGE SET

(NOT SUITABLE FOR 50MM PREDRILLED DOORS)

DRILLING SEQUENCE

1. DRILL TWO HOLES DIAMETER 4.5MM.
1A. FOR VERTICAL FIXING; OR
1B. FOR HORIZONTAL FIXING.
2. DRILL ONE HOLE DIAMETER 32MM.
3. DRILL ONE HOLE DIAMETER 25MM.

PLEASE ENSURE YOUR INSTALLER/FITTER FOLLOWS THESE INSTRUCTIONS. IT IS IMPERATIVE FOR THE CORRECT FUNCTION OF OUR DOOR HARDWARE THAT ALL ITEMS SUPPLIED INCLUDING GRUB SCREWS, TIE BOLTS AND SOLID SPLIT SPINDLES ARE INSTALLED AS CLEARLY INSTRUCTED.